

INSTALLATION INSTRUCTIONS

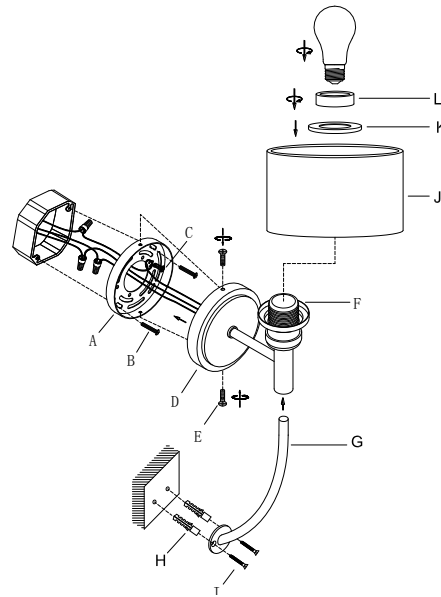
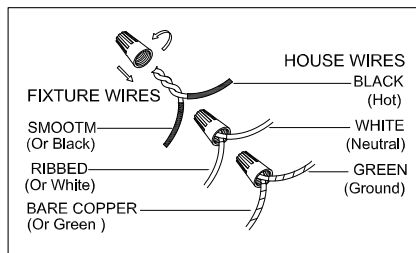
For Model 5748-01

READ AND SAVE THESE INSTRUCTIONS

These instructions are provided for your safety. It is essential to read them carefully and completely before installing the light fixture. We strongly suggest that all direct-wired fixtures be installed by a qualified, licensed electrician.

**WARNING! SHUT POWER OFF AT FUSE OR CIRCUIT BREAKER
BEFORE INSTALLATION**

AVERTISSEMENT! COUPER LE COURANT AU NIVEAU DES FUSIBLES OU DU DISJONCTEUR.



PREPARING FOR INSTALLATIONS

Remove all contents from the carton. See the important notes above. Shut off the power at the circuit breaker and completely remove the old fixture from the ceiling, including the old mounting strap.

The mounting plate(A) contains several pairs of threaded holes. Find holes that match the spacing of the holes on the junction box. Pull the house wires through the center of the mounting plate(A). Place the mounting plate(A) over the junction box to align with the holes on the fixture's backplate(D). Secure the mounting plate(A) to the junction box by securely tightening the mounting screws(B).

ASSEMBLING THE FIXTURE

Insert the rod(G) to the fixture(F). Drill 2 holes on the wall in line with 2 holes of the rod(G). Insert anchors(H) into the drilled holes. Fasten the rod(G) to wall by screwing 2 screws(I) provided with anchors(H).

CONNECTING THE WIRES

Attach the fixture's wire to the power supply wires at the junction box. Connect the black wire to the black wire (or smooth), the white wire to the white (or ribbed), the ground wire to the ground wire (green or copper). Twist the end of the wire pairs together, and twist on a wire connector. Make sure all twists are in the same direction. If there is no ground wire (green or copper) from the junction box, locate the ground screw(C) on the mounting plate(A) and wrap the fixture's ground wire around the green ground screw(C). Use a screwdriver to secure the ground screw(C) onto the mounting bracket. Tuck all wires neatly into the junction box.

FINISHING THE INSTALLATIONS

Place the fixture's backplate(D) against the mounting surface and fasten the backplate screws(E). Secure the glass(J) and the metal washer(K) onto the socket by screwing socket ring(L) until it is tightened. Adjust the glass to level. Install a light bulb (not included) in accordance with the fixture's specifications. Do not exceed the recommended maximum wattage.

CLEANING TIPS

Treat the fixture gently! Regular cleaning will reduce the need for deep cleaning. For regular cleaning, turn off the light and wipe down the fixture with a clean lint-free cotton or microfiber cloth. Never spray cleaner directly onto the fixture.